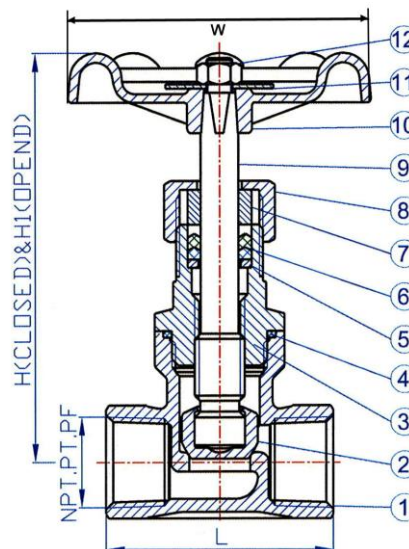


Body and valve trim:
 Adjusting knob:
 Seal:
 Operating pressure:
 Medium and ambient temperature:
 Operating temperature:

Stainless steel 1.4401 / 1.4408
 Aluminium
 PTFE
 Max. 14 bar
 Max. 160 °C
 -10 °C to 180 °C



250.52 E



Female thread globe valves, stainless steel

Art. No.	Ident No.	Port G	DN	L	H	H1	W	Weight kg
250.50 ES	103795	3/8	10	52.0	89.0	99.0	70.0	0.3
250.51 ES	103796	1/2	15	52.0	89.0	99.0	70.0	0.3
250.52 ES	103797	3/4	20	66.0	95.0	107.0	80.0	0.5
250.53 ES	103798	1	25	76.0	102.0	118.0	80.0	0.7
250.54 ES	103799	1 1/4	32	86.0	130.0	150.0	90.0	1.0
250.55 ES	103800	1 1/2	40	94.0	132.0	142.0	90.0	1.3
250.56 ES	103801	2	50	118.0	154.0	167.0	100.0	2.0

Spare parts

Art. No.	Adjusting knob No.
250.50 ES	250.3.11-ES
250.51 ES	250.3.11-ES
250.52 ES	250.3.11-ES
250.53 ES	250.3.13-ES
250.54 ES	250.3.13-ES
250.55 ES	250.3.15-ES
250.56 ES	250.3.16-ES

List of material:

NO.	PART NAME	MATERIAL
1	BODY	CF8M
2	DISC	CF8M
3	BONNET	CF8M
4	GASKET	PTFE
5	WHORL GASKET	SUS304
6	PACKING	PTFE
7	GLAND	SUS304
8	CAP NUT	CF8M
9	STEM	SUS316
10	HANDLE	ALUMINUM
11	NAMEPLATE	ALUMINUM
12	NUT	SUS304